

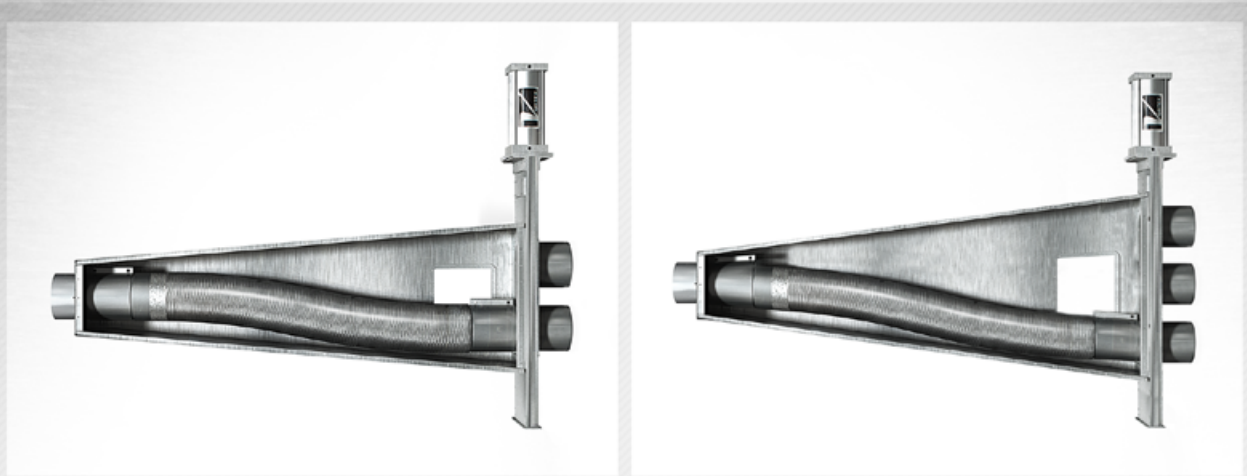
FLEXTUBE DIVERTER

The unique design of the Vortex Flex Tube Diverter eliminates material cross contamination through a positive seal across the closed port. Pockets where material can lodge and remain trapped have also been eliminated. A smooth unobstructed transition from inlet to outlet shields the wear compensating seals from abrasion.

- GRAVITY FLOW**
- DILUTE PHASE PNEUMATIC CONVEYING** (Pressure or Vacuum)
- DENSE PHASE PNEUMATIC CONVEYING**

FEATURES

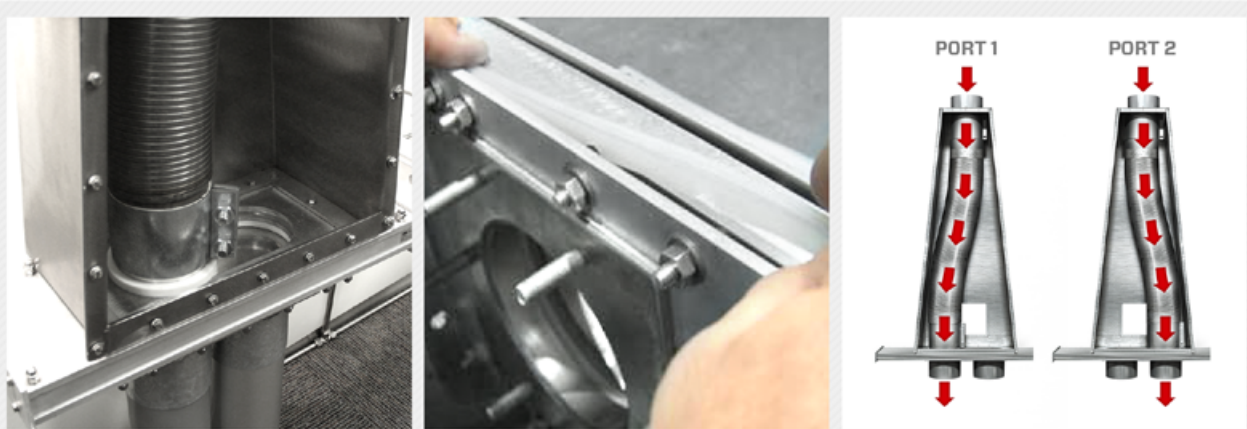
-  Handles powders, granules, or pellets & is excellent for sugar-based solids
-  Eliminates cross contamination
-  Diverts or converges material flow
-  Unobstructed opening
-  Available in 2 or 3-way configurations
-  No pinch points or exposed moving parts for safe operation
-  Material construction options available
-  Standard sizes: 2" - 8"
Contact us for custom sizes



2 - WAY

3 - WAY

OPTIONS



Housing encloses all moving parts to eliminate external pinch points and support the flex tube

Shim removal for seal adjustment while valve is in-line

This diagram shows the isolation of the off leg to eliminate material cross contamination

DETAILS



8" (203mm) Flex Tube Diverter handling PVC compound

6" (152mm) Flex Tube Diverters handling coffee beans

APPLICATIONS

For a complete list of specifications, modifications, dimensional drawings and measurements, visit WWW.VORTEXVALVES.COM

FLEX TUBE DIVERTER

VORTEX VALVES